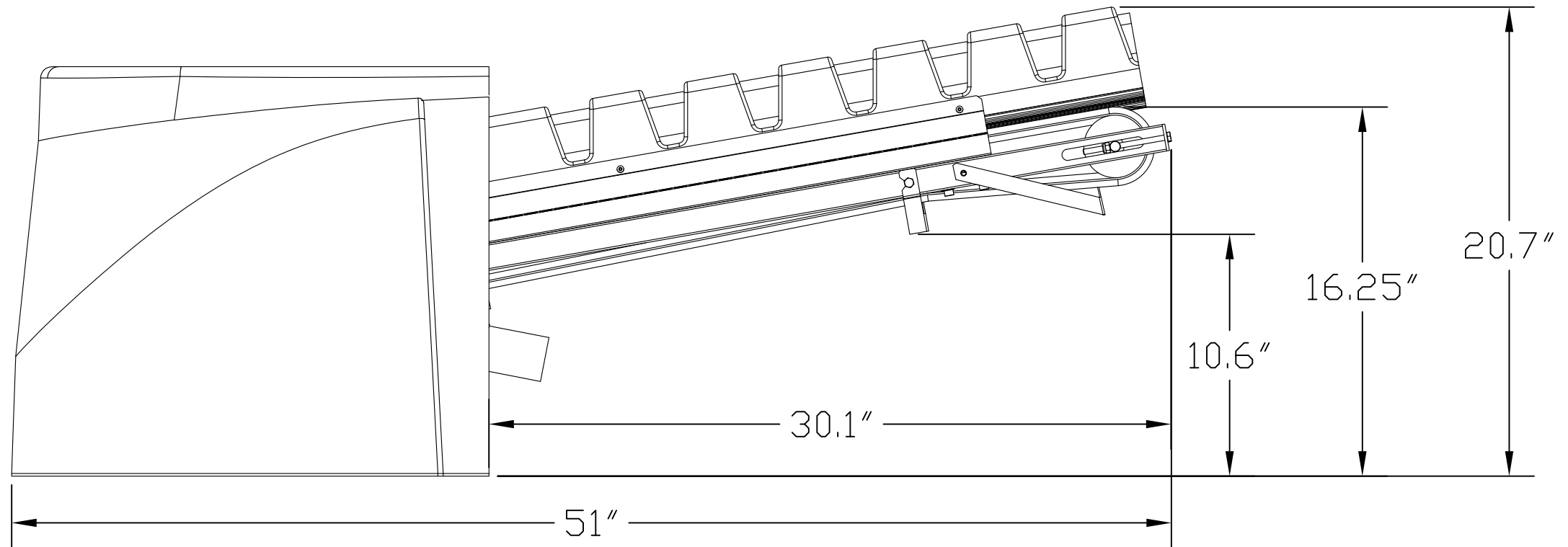


TTS SHORT CONVEYOR



TTS MEDIUM CONVEYOR

NO	REVISION
<b>PROPRIETARY INFORMATION</b> This drawing is the property of ECS and shall not be used, copied or reproduced in whole or in part, nor shall the contents be revealed in any manner to anyone unless written permission is obtained from Engineered Compost Systems, Inc.	
TOLERANCES UNLESS OTHERWISE SPECIFIED: 2 PLACE DECIMALS: ±0.010 3 PLACE DECIMALS: ±0.005 FRACTIONS: ±1/16 ANGLES: ±3°	THIRD ANGLE PROJECTION 
ALL DIMS ARE IN INCHES DO NOT SCALE DRAWING	



DRAWN: RDM CHCKD: .	SIZE: <b>B</b>	TITLE: TTS SHORT AND MEDIUM CONVEYOR SIDE VIEW
DATE: 03 AUG 2018 SCALE: NTS	PROJECT: 269 DWG. NO: 269-90 R&D	SHT: 4 OF 4 REV: -