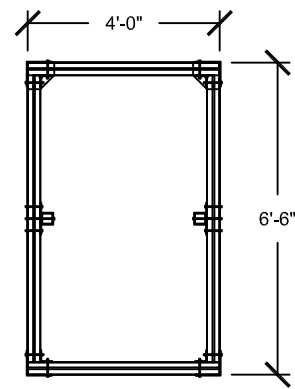
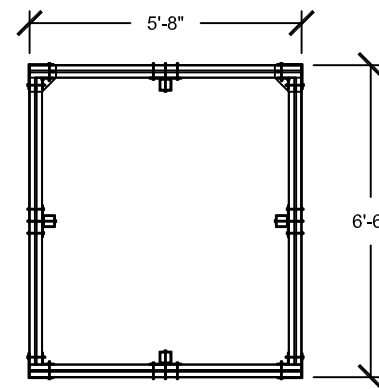


Toilet Tech

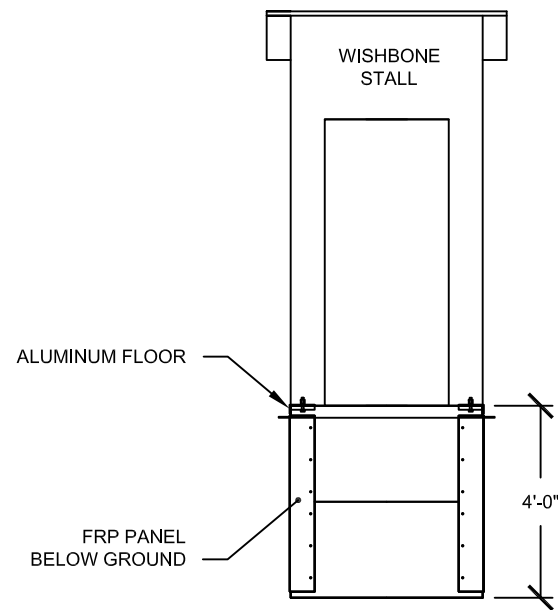
Full Pre-Fab Package with the DCV (DeCompose Vault)
Below Grade Vault - Pre-Fab FRP Panel Construction



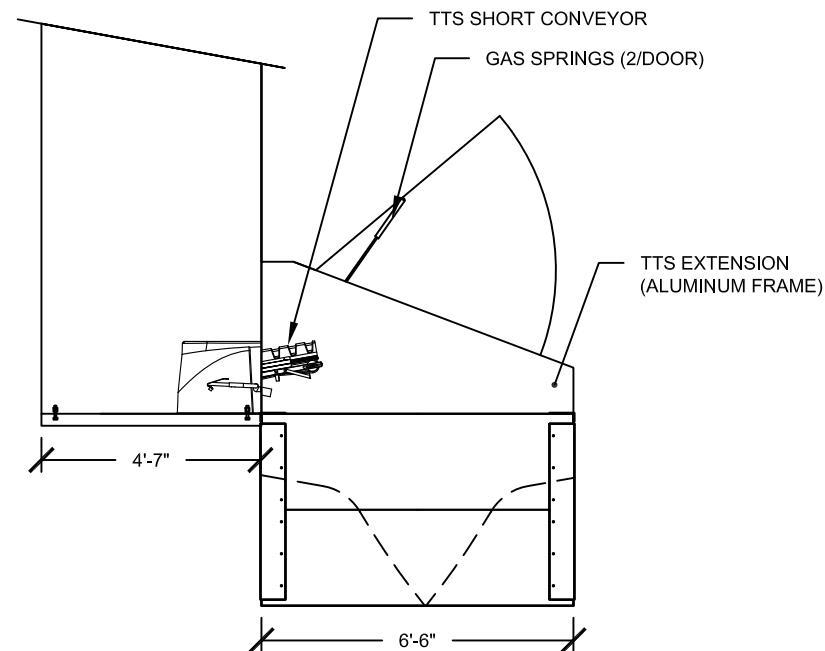
PLAN VIEW



PLAN VIEW

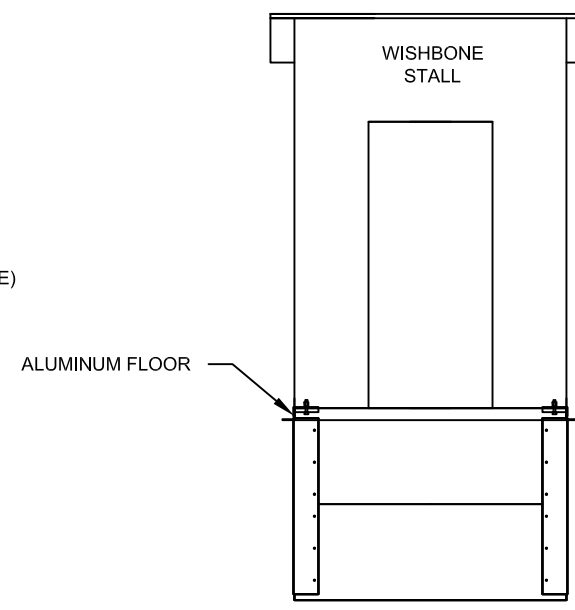


FRONT ELEVATION

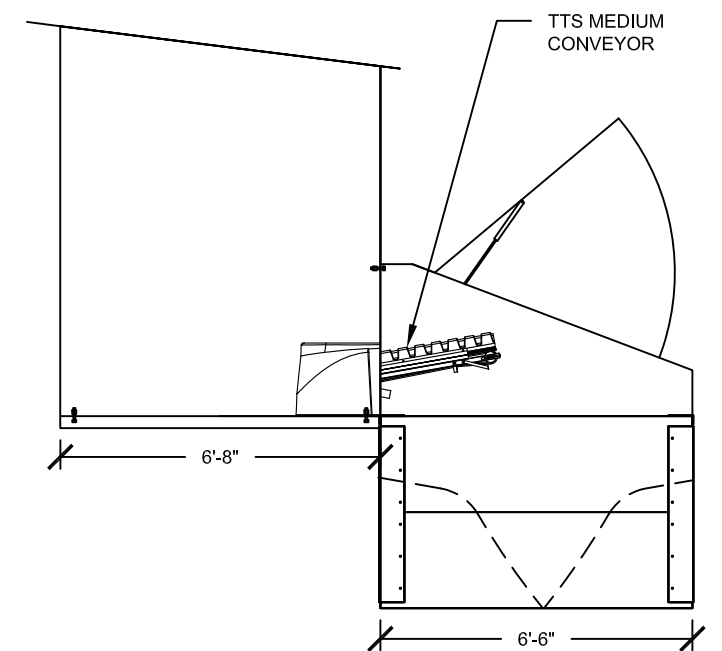


SIDE ELEVATION

STANDARD SIZE, SINGLE SEAT
WEIGHT: 400 LBS



FRONT ELEVATION



SIDE ELEVATION

ADA-COMPLIANT, SINGLE SEAT
WEIGHT: 450 LBS

TTS DECOMPOSE VAULT
LIGHTWEIGHT PULLTRUDED
FRP PANEL VAULT SYSTEM

*NOTE TTS DCV SYSTEMS ARE COMPATIBLE WITH
ALL BUILDING SIZE CONFIGURATIONS

-	*SEE SHEET 1 FOR REVISION HISTORY	-	-
NO	REVISION		
PROPRIETARY INFORMATION This drawing is the property of ECS and shall not be used, copied or reproduced in whole or in part, nor shall the contents be revealed in any manner to anyone unless written permission is obtained from Engineered Compost Systems, Inc.			
TOLERANCES UNLESS OTHERWISE SPECIFIED: 2 PLACE DECIMALS: ± 0.010 3 PLACE DECIMALS: ± 0.005 FRACTIONS: ± 1/16 ANGLES: ± 3°	THIRD ANGLE PROJECTION 	ALL DIMS ARE IN INCHES DO NOT SCALE DRAWING	



DRAWN: RDM	SIZE B	TITLE: TTS WISHBONE TOILET OFFERINGS	
CHCKD: GBH		DATE: 05 NOV 2018	PROJECT: 269-90 WISHBONE
		SCALE: 1/4" : 1'-0"	DWG. NO.: -
		SHT: 3 OF 6	REV: 1